



## Absolute maximum rating

Parameters	Symbol	Min.	Max.	Unit
				°
				°

## Recommended operating environment

Parameter	Symbol	Min.	Typical	Max	Unit
					°

## Low Speed Characteristics

Parameter	Symbol	Min.	Typical	Max	Unit



F-tone Networks

# 北亿纤通科技有限公司

集团旗下

## Optical characteristics





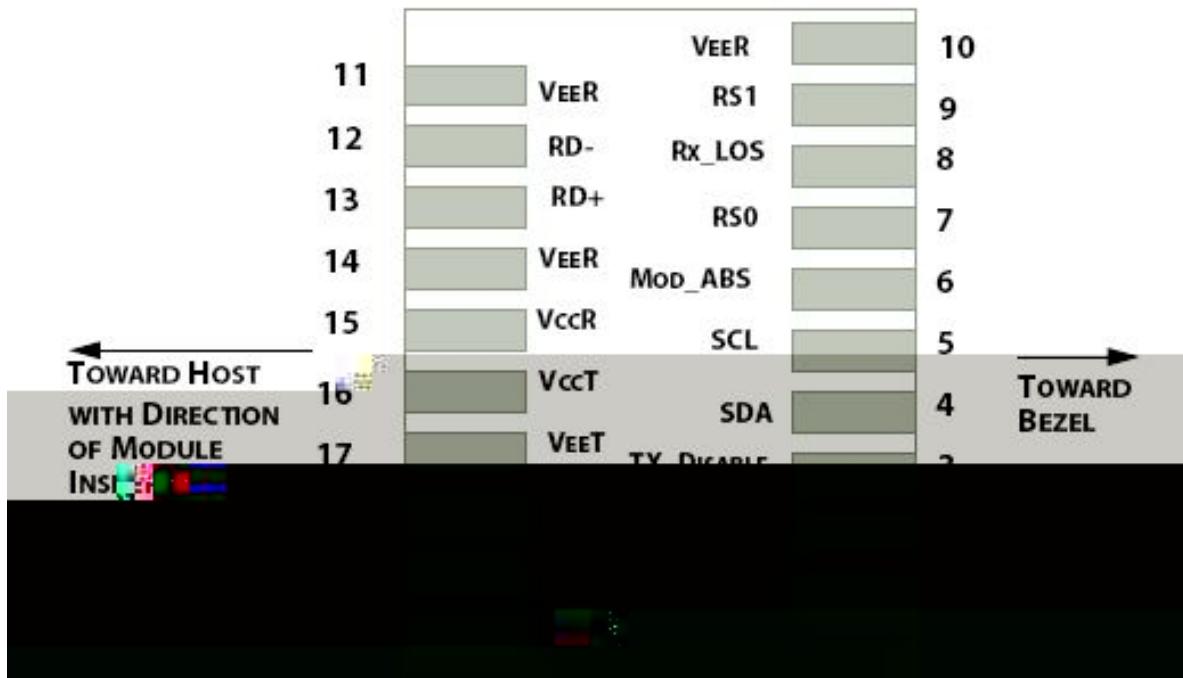


Figure 1: Interface to Host PCB

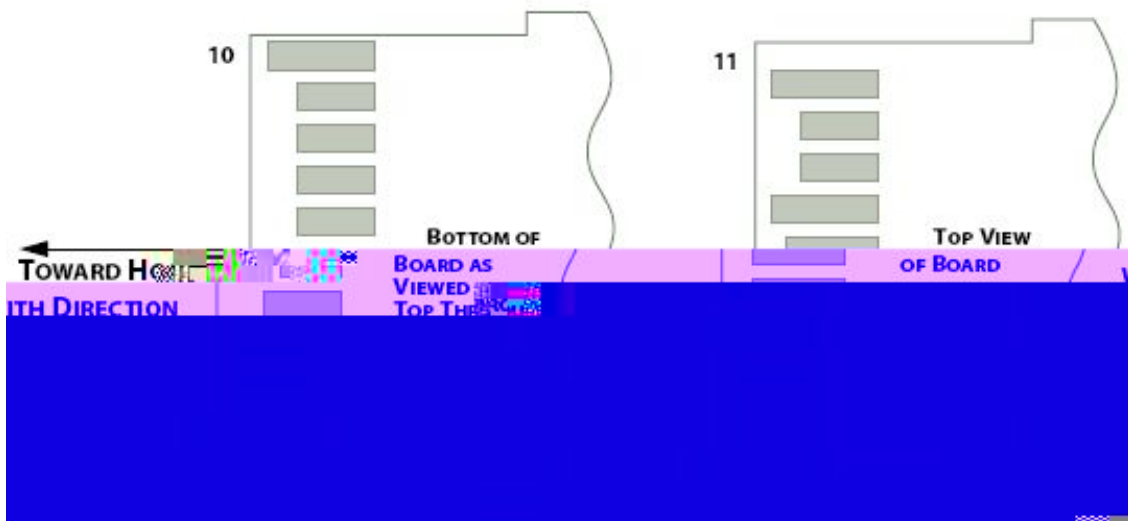


Figure 2: Module Contact Assignment

Pin definition



# 北亿纤通科技有限公司

集团旗下

---

北亿纤通科技有限公司

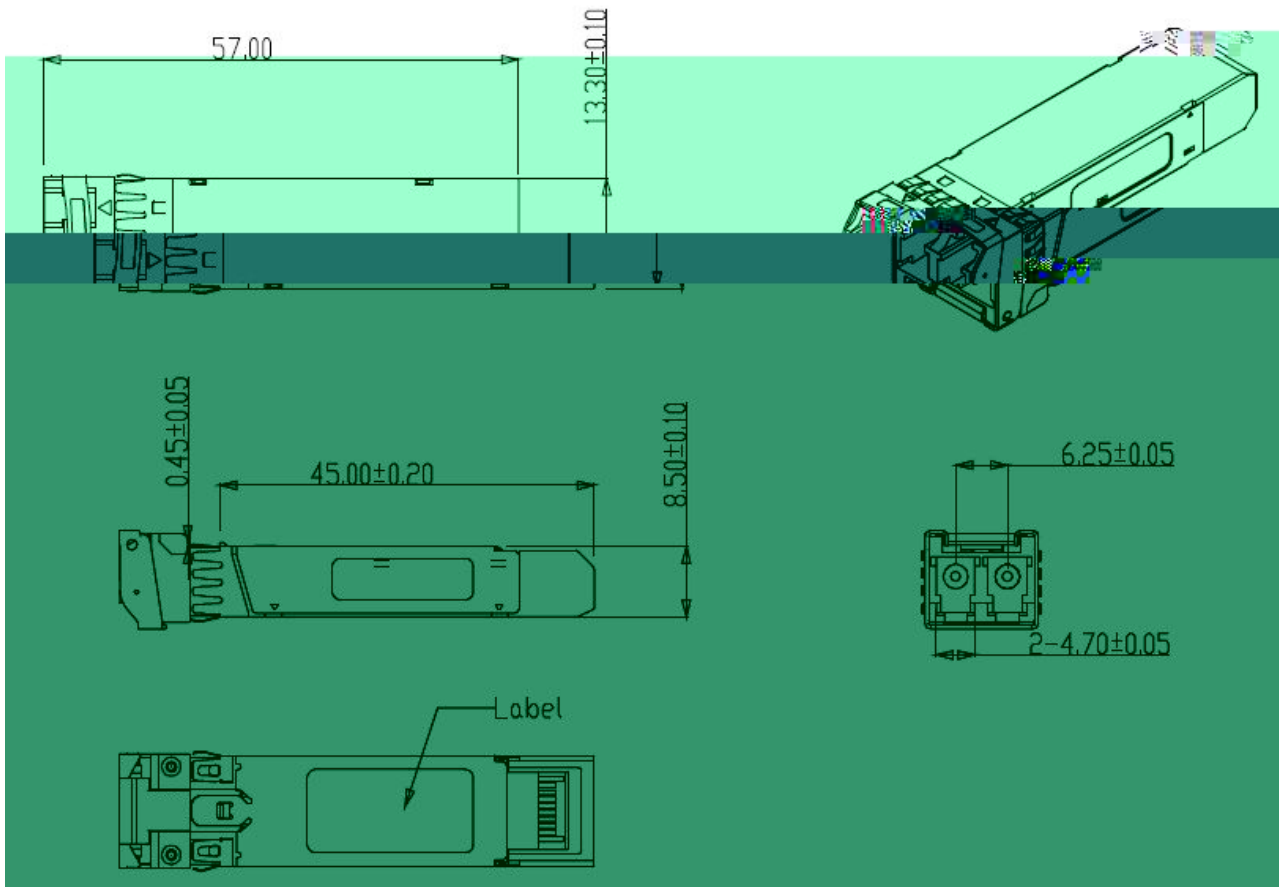


Figure5. Mechanical Specifications

## Regulatory Compliance

Feature	Agency	Standard





F-tone Networks

## Ordering information

Part Number	Product Description

## References

## Important Notice